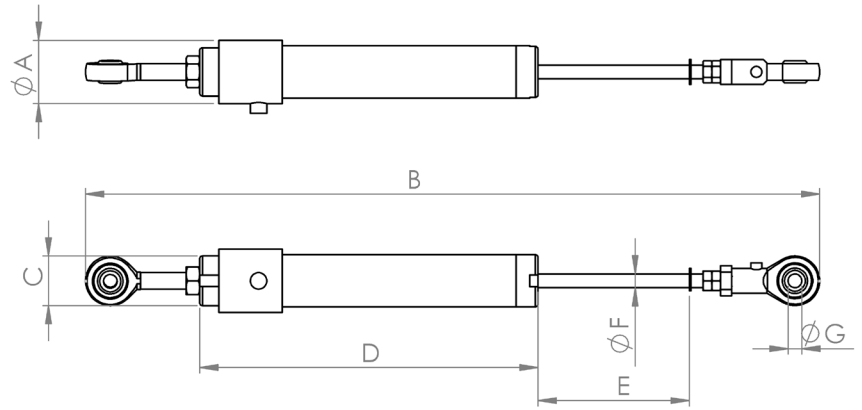


DIMENSIONS



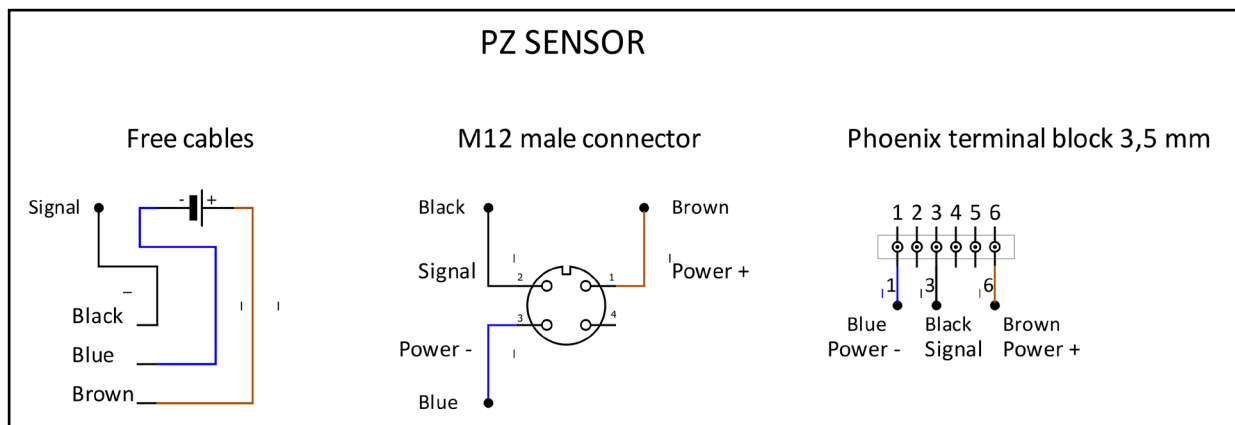
REFERENCE LETTER	DIMENSION VALUE (mm)
ØA	23
B	255
C	20
D	120
E	55
ØF	5
ØG	5

TECHNICAL FEATURES

SERIES DEFINED BY ACTIVE ELECTRICAL TRAVEL		10	25	50	75	100
Total Electrical Travel	mm	11	26	51	76	101
Active Electrical Travel	mm	10	25	50	75	100
Resistance	kΩ	1	1	5	5	5
Mechanical Travel	mm	15	30	55	80	105
Resolution		infinite				
Recommended Cursor Current	µA	<1				
Temperature Range	°C	-30 °C + 100 °C				
Independent Linearity	±%	0.3	0.2	0.1	0.1	0.1

Recommended Cursor Current <1 for every model

ELECTRICAL CONNECTIONS

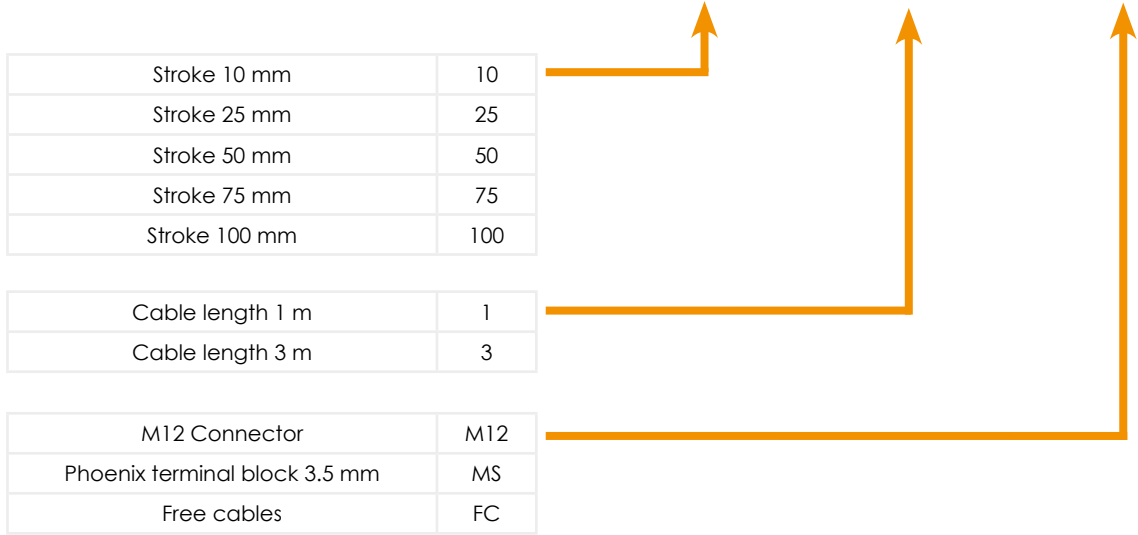


Al fine di migliorare le prestazioni tecniche del prodotto, la società si riserva di apportare variazioni senza preavviso.
In order to improve the technical performances of the product, the company reserves the right to make any change without notice.

ORDERING INFORMATION:

Example: Transducer PZ -10-1-M12

Transducer PZ - 10 - 1 - M12



Al fine di migliorare le prestazioni tecniche del prodotto, la società si riserva di apportare variazioni senza preavviso.
 In order to improve the technical performances of the product, the company reserves the right to make any change without notice.