

Mini2 Mini2 Smartphone Module



The Smartphone Module is designed to inspect electrical equipment, troubleshooting HVAC problems. Equipped with functional thermal App for smartphone, the Smartphone Module enables you to get the thermal imaging on your phone.

Key Features

- Thermal resolution: 256 × 192 (49,152 pixels)
- NETD: < 40 mK (@ 25 °C, F#=1.0)
- Accuracy: ±2 °C (-20 °C to 100 °C) ; ±2 % (100 °C to 350 °C)
- USB Type-C Interface (Android)
- 20 g Weight

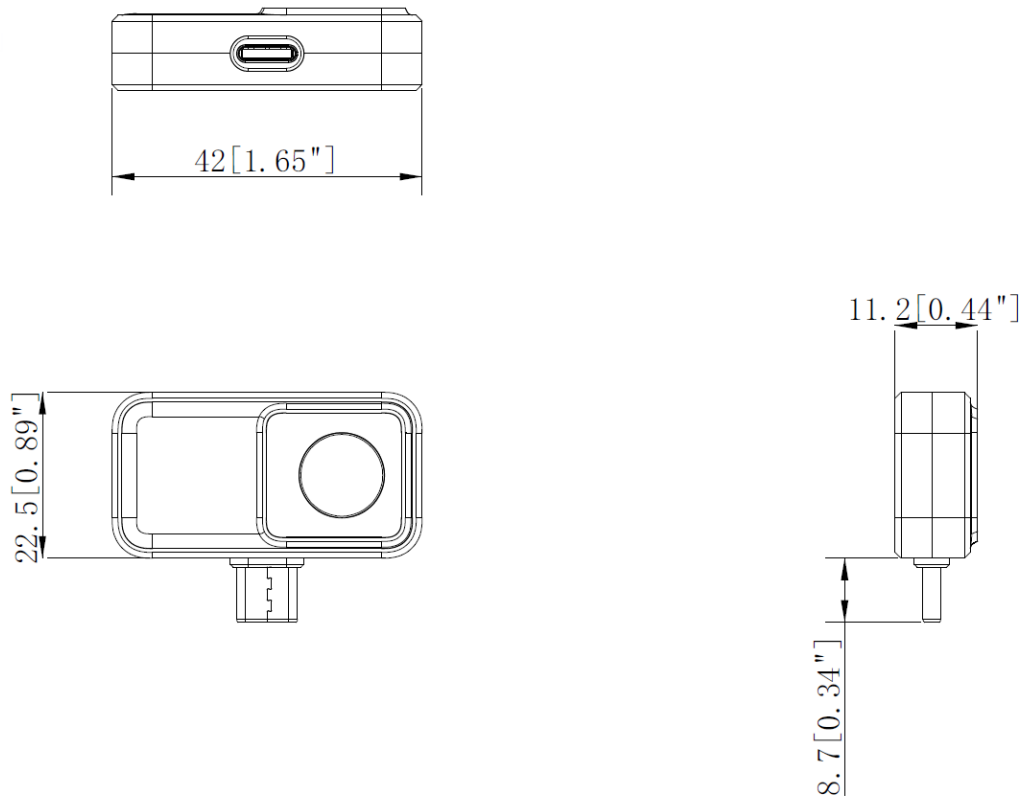
▪ Specification

| Infrared Image | |
|---------------------------|--|
| IR Resolution | 256 × 192 (49,152 pixels) |
| NETD | < 40 mK (@ 25 °C, F#=1.0) |
| Image Frequency | 25 Hz |
| Detector Pitch | 12 μm |
| Spectral Range | 7.5 to 14 μm |
| Focal Length | 3.5 mm |
| F-number | F1.0 |
| Field of View (FOV) | 50° × 37.2° |
| Min. Focus Distance | 0.2 m (0.66 ft) |
| Focus Mode | Focus Free |
| Image Display | |
| Color Palettes | White Hot, Black Hot, Rainbow, Ironbow, Sepia, Color, Ice Fire, Rain, Red Hot, Green Hot, Dark Blue, Combined |
| Image Modes | Thermal |
| Measurement and Analysis | |
| Object Temperature Range | -20°C to 350°C(-4°F to 662°F) |
| Accuracy | Max (±2°C/3.6°F, ±2%), for ambient temperature 15°C to 35°C (59°F to 95°F) and object temperature above 0°C (32°F) |
| Measurement Tools | Center Spot, Hot Spot, Cold Spot User-definable: 3 spots, and 3 rectangles. |
| Level and Span Mode | Auto/Manual |
| General | |
| Power Consumption | 360 mW |
| Protection Level | IP40 |
| Drop Test Height | 1 m (3.28 ft) |
| Working Temperature Range | -10°C to 50°C (14°F to 122°F) |
| Storage Temperature Range | -20°C to 60°C (-4°F to 140°F) |
| Weight | Approx. 20 g (0.044 lb) |
| Dimension | 42 × 22.5 × 11.2 mm (1.65 × 0.89 × 0.44 in) |

▪ Available Model

Mini2

▪Dimension



Unit: mm [inch]

Optional Accessory



HM-AHBR02

Pocket/Mini Series Desktop
Stand Bracket

COMPLIANCE NOTICE: The thermal series products might be subject to export controls in various countries or regions, including without limitation, the United States, European Union, United Kingdom and/or other member countries of the Wassenaar Arrangement. Please consult your professional legal or compliance expert or local government authorities for any necessary export license requirements if you intend to transfer, export, re-export the thermal series products between different countries.



 HIKMICRO Thermography  hikmicro_thermography  HIKMICRO Thermography  HIKMICRO  info@hikmicrotech.com  <http://hikmicrotech.com/en>

© 2023 Hangzhou HIKMICRO Sensing Technology Co., Ltd. All Rights Reserved.
Data subject to change without notice!